

Q-Flex® QA-2000 Accelerometer

The inertial navigation standard

As the inertial navigation standard by which others are measured, Honeywell produces the QA2000. It is the predominant sensor used in today's commercial and military aircraft strap-down inertial navigation systems. The long-term Repeatability and superior reliability characteristics of the QA2000 make it the best value inertial-grade accelerometer available on the market today.

As with the entire Q-Flex family of accelerometers, the QA2000 features a patented Q-Flex® etched-quartz-flexure seismic system. An amorphous quartz proof-mass structure provides excellent bias, scale factor, and axis alignment Repeatability.

The integral electronics develops an acceleration-proportional output current providing both static and dynamic acceleration measurement. By use of customer supplied output load resistor, appropriately scaled for the acceleration range of the application, the output current can be converted into a voltage.

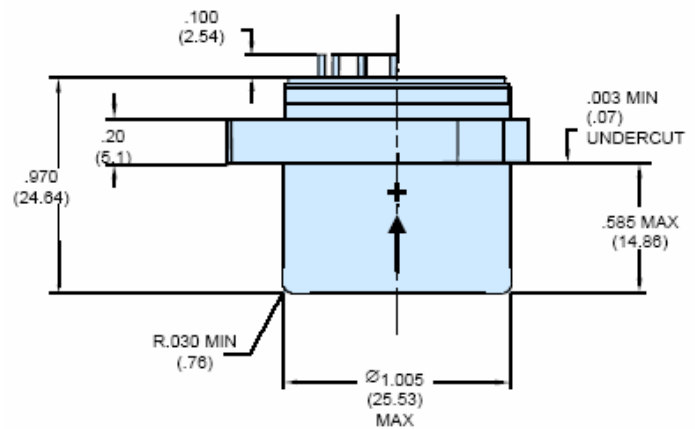
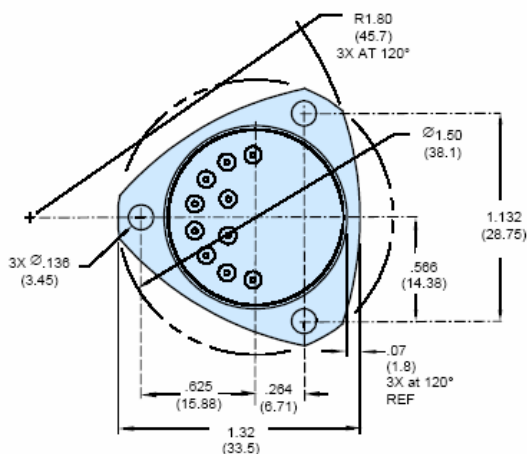


The QA2000 also includes a current-output, internal temperature sensor. By applying temperature-compensating algorithms, bias, scale factor, and axis misalignment performance are dramatically improved.

Features

- Excellent turn-on repeatability performance
- Environmentally rugged
- Analog output
- Field-adjustable range
- Three fastener precision mounting flange
- Internal temperature sensor for thermal compensation
- Dual built-in self-test

Configuration Drawings



Performance Characteristics

Additional product specifications, outline drawings and block diagrams, and test data are available on request.

Performance	QA2000-030	QA2000-020	QA2000-010
Input Range [g]	±60	±60	±60
Bias [mg]	<4	<4	<4
One-year Composite Repeatability [µg]	<160	<220	<550
Temperature Sensitivity [µg/°C]	<30	<30	<30
Scale Factor [mA/g]	1.20 to 1.46	1.20 to 1.46	1.20 to 1.46
One-year Composite Repeatability [ppm]	<310	<500	<600
Temperature Sensitivity [ppm/°C]	<180	<180	<180
Axis Misalignment [µrad]	<2000	<2000	<2000
One-year Composite Repeatability [µrad]	<100	<100	<100
Vibration Rectification [µg/g ² rms]	<20 (50-500 Hz)	<40 (50-500 Hz)	<40 (50-500 Hz)
	<60 (500-2000 Hz)	<60 (500-2000 Hz)	<150 (500-2000 Hz)
Intrinsic Noise [µg-rms]	<7 (0-10 Hz)	<7 (0-10 Hz)	<7 (0-10 Hz)
	<70 (10-500 Hz)	<70 (10-500 Hz)	<70 (10-500 Hz)
	<1500 (500-10,000 Hz)	<1500 (500-10,000 Hz)	<1500 (500-10,000 Hz)
Environment	QA2000-030	QA2000-020	QA2000-010
Operating Temperature Range [°C]	-55 to +95	-55 to +95	-55 to +95
Shock [g]	250	250	250
Vibration Peak Sine [g]	15 @ 20-2000 Hz	15 @ 20-2000 Hz	15 @ 20-2000 Hz
Resolution/Threshold [µg]	<1	<1	<1
Bandwidth [Hz]	>300	>300	>300
Thermal Modeling	QA2000-030	QA2000-020	QA2000-010
	YES	YES	YES
Electrical	QA2000-030	QA2000-020	QA2000-010
Quiescent Current per Supply [mA]	<16	<16	<16
Quiescent Power [mW] @ ±15 VDC	<480	<480	<480
Electrical Interface	Temp Sensor	Temp Sensor	Temp Sensor
	Voltage Self Test	Voltage Self Test	Voltage Self Test
	Current Self Test	Current Self Test	Current Self Test
	Power / Signal Ground	Power / Signal Ground	Power / Signal Ground
	-10 VDC Output +10 VDC Output	-10 VDC Output +10 VDC Output	-10 VDC Output +10 VDC Output
Input Voltage [VDC]	±13 to ±28	±13 to ±28	±13 to ±28
Physical	QA2000-030	QA2000-020	QA2000-010
Weight [grams]	71± 4	71± 4	71± 4
Diameter below mounting surface [inches]	Ø1.005 Max	Ø1.005 Max	Ø1.005 Max
Height - bottom to mounting surface [inches]	.585 Max	.585 Max	.585 Max
Case Material	300 Series Stainless Steel	300 Series Stainless Steel	300 Series Stainless Steel

Find out more:

www.inertialsensor.com

Defense & Space Redmond

Honeywell International, Inc.
 MAIL ADDRESS: P.O. Box 97001
 15001 N.E. 36th Street
 Redmond, Washington 98073-9701
 PHONE: 888 206 1667
 FAX: 425 883 2104
www.honeywell.com

EXP028, June 2005
 Copyright © 2004, Honeywell
 International Inc. All Rights
 Reserved. Printed in USA

ISO-9001 Certification Since 1995

DISCLAIMER: Specifications are subject to change without notice. Honeywell reserves the right to make changes to any product or technology herein to improve reliability, function, or design. Honeywell does not assume any liability arising out of the application or use of the product.

Accelerometers exported from the United States must be done in accordance with the Export Administration Regulations (EAR) and/or the International Traffic in Arms Regulations (ITAR) as applicable.

