

## Q-Flex® QA-1400 Accelerometer

### *Cost-effective inertial-grade sensor*

For the most cost-effective inertial-navigation grade solution, Honeywell produces the QA1400 for a variety of industrial and laboratory applications.

As with the entire Q-Flex family of accelerometers, the QA1400 features a patented Q-Flex® etched-quartz-flexure seismic system. An amorphous quartz proof-mass structure provides excellent bias, scale factor, and axis alignment stability.

The integral electronics develops an acceleration-proportional output current providing both static and dynamic acceleration measurements. By use of a customer supplied output load resistor, appropriately scaled for the acceleration range of the application, the output current can be converted into a voltage.

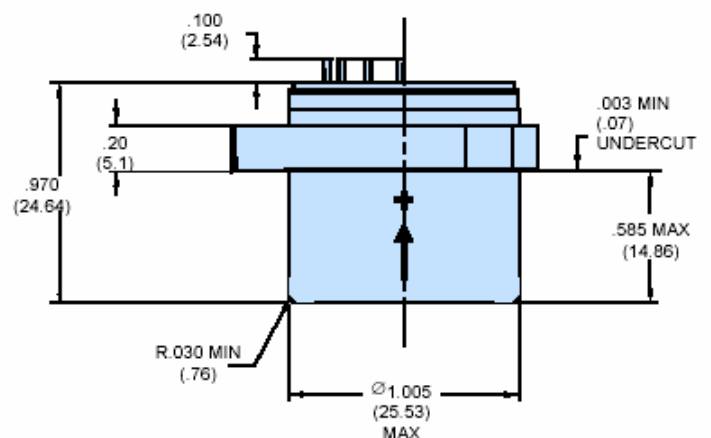
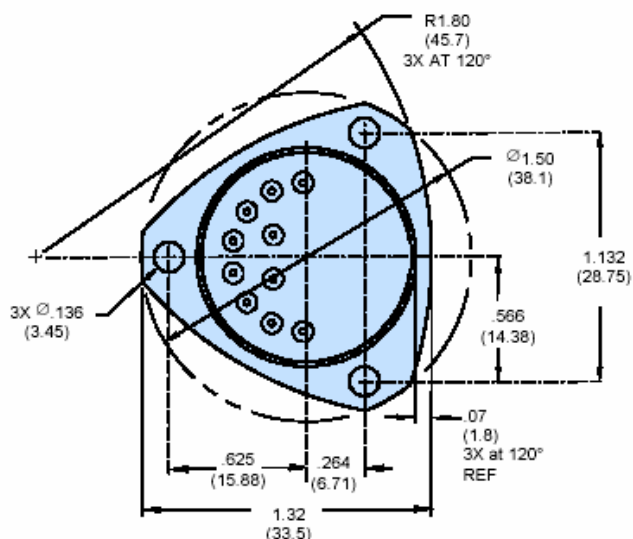


The QA1400 also includes a current-output, internal temperature sensor. By applying temperature-compensating algorithms, bias, scale factor, and axis misalignment performance are dramatically improved. Implementation of the thermal modeling results in bias residual errors as low as  $\pm 200 \mu\text{g}$  and scale factor errors as low as  $\pm 400 \text{ ppm}$ .

### Features

- Excellent turn-on composite repeatability and stability performance
- Environmentally rugged
- Analog output
- Field-adjustable range
- Three fastener precision mounting flange
- Internal temperature sensor for thermal compensation
- Dual built-in test
- Selectable bias temperature sensitivity

### Configuration Drawings



## Performance Characteristics

Additional product specifications, outline drawings and block diagrams, and test data are available on request.

Performance	
Input Range [g]	±60
Bias [mg]	<5
One-year Composite Repeatability [µg]	<1000
Temperature Sensitivity [µg/°C]	<90
Scale Factor [mA/g]	1.20 to 1.46
One-year Composite Repeatability [ppm]	<1000
Temperature Sensitivity [ppm/°C]	<180
Axis Misalignment [µrad]	<7000
One-year Composite Repeatability [µrad]	<200
Vibration Rectification [µg/g <sup>2</sup> rms]	<60 (50-500 Hz) <150 (500-2000 Hz)
Intrinsic Noise [µg-rms]	<7 (0-10 Hz) <70 (10-500 Hz) <1500 (500-10,000 Hz)
Environment	
Operating Temperature Range [°C]	-55 to +95
Shock [g]	250
Vibration Peak Sine [g]	20 @ 20-2000 Hz
Resolution/Threshold [µg]	<1
Bandwidth [Hz]	>300
Thermal Modeling	
	YES
Electrical	
Quiescent Current per Supply [mA]	<16
Quiescent Power [mW] @ ±15 VDC	<480
Electrical Interface	Temp Sensor Voltage Self Test Current Self Test Power / Signal Ground -10 VDC Output +10 VDC Output
Input Voltage	±13 to ±28
Physical	
Weight [grams]	71 ±4
Diameter below mounting surface [inches]	Ø1.005 Max
Height - bottom to mounting surface [inches]	.585 Max
Case Material	300 Series Stainless Steel

### Find out more:

[www.inertialsensor.com](http://www.inertialsensor.com)

Defense & Space Redmond

Honeywell International, Inc.

MAIL ADDRESS: P.O. Box 97001

15001 N.E. 36<sup>th</sup> Street

Redmond, Washington 98073-9701

PHONE: 888 206 1667

FAX: 425 883 2104

[www.honeywell.com](http://www.honeywell.com)

EXP026, August 2005

Copyright © 2004, Honeywell International Inc. All Rights Reserved. Printed in USA

## ISO-9001 Certification Since 1995

DISCLAIMER: Specifications are subject to change without notice. Honeywell reserves the right to make changes to any product or technology herein to improve reliability, function, or design. Honeywell does not assume any liability arising out of the application or use of the product.

Accelerometers exported from the United States must be done in accordance with the Export Administration Regulations (EAR) and/or the International Traffic in Arms Regulations (ITAR) as applicable.

**Honeywell**