

ASC Angular Rate Sensors



ASC 271 (Uniaxial) / ASC 273 (Triaxial)

- ▶ Uniaxial / Triaxial
- ▶ Anodised Aluminium Housing
- ▶ Made in Germany

Features

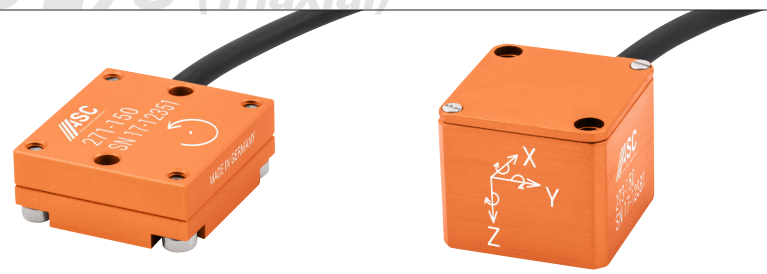
- ▶ $\pm 75^\circ/s$, $\pm 150^\circ/s$, $\pm 300^\circ/s$ and $\pm 900^\circ/s$ Rate Ranges
- ▶ Low Bias Instability ($9^\circ/hr$)
- ▶ Low Angular Random Walk ($0.2^\circ/\sqrt{hr}$)
- ▶ Low Power Consumption
- ▶ High Shock Rejection
- ▶ Low g-Sensitivity
- ▶ Wide Bandwidth

Options

- ▶ Customised Cable Length
- ▶ Customised Connector

Applications

- ▶ Precision Navigation and Pointing
- ▶ Automotive in-car Navigation
- ▶ Precision GPS Vehicle and Personal Navigation Aiding (Dead Reckoning Navigation)
- ▶ Vehicle Yaw, Pitch and Roll Rate Sensing
- ▶ Gesture Sensing
- ▶ Motion Tracking
- ▶ Precision Agriculture
- ▶ Camera/Antenna/Plattform Stabilisation
- ▶ Industrial and Robotics



ASC 271 (Uniaxial)

ASC 273 (Triaxial)

MEMS Vibrating Ring Technology

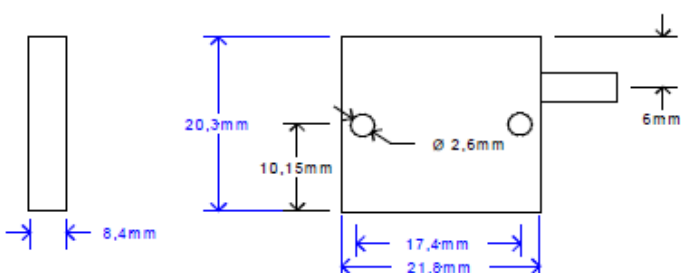
ASC's precision navigation and pointing gyroscopes are made of robust silicon MEMS vibrating ring elements. The gyro detects the magnitude and direction of angular velocity by using the coriolis force effect. As the gyro is rotated, coriolis forces acting on the silicon ring cause radial movement at the ring perimeter, the magnitude of which is proportional to the angular velocity of rotation. The gyro thus produces an analog voltage signal, which is linearly proportional to angular rate. The balanced ring design results in excellent shock and vibration insensitivity.

Description

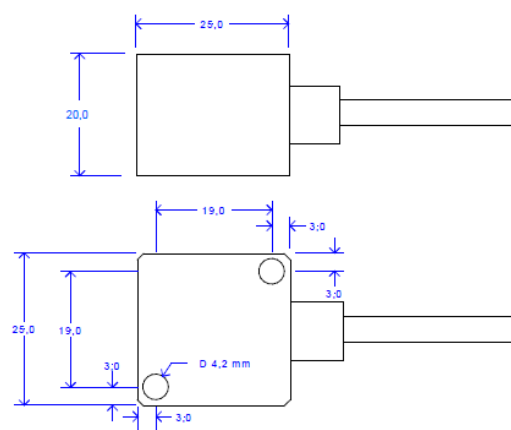
ASC's precision navigation and pointing gyros are used typically in industrial environments due to their excellent shock and vibration rejection. ASC's gyroscopes, 271 and 273, feature an anodised aluminium housing, which is light-weight and provides case isolation against ground loops. The sensor sensitivity and bias is extremely stable over a wide temperature range from $-40^\circ C$ to $+85^\circ C$.

ASC's precision navigation and pointing gyros are available in two versions: 271 (Uniaxial) and 273 (Triaxial).

ASC 271 (Uniaxial)



ASC 273 (Triaxial)



Typical Specifications

MODEL NUMBER: ASC 271 (UNIAXIAL) / ASC 273 (TRIAXIAL)

Type: Industrial Grade Gyros

DYNAMIC		Rate Range (\pm°/s)			
		75	150	300	900
Sensitivity ($\pm 1\%$)	mV/ $^\circ/s$	13.2	6.6	3.3	1.1
Bandwidth (max.)	Hz	150			
Non-linearity	%	0.05			
Shock limit	g	500 (1 ms half-sine) ; 10000 (survival)			
g-sensitivity (linear acceleration)	$^\circ/s/g$	0.1			

ELECTRICAL

Excitation voltage	V DC	7 to 40			
Current Consumption	mA	ASC 271: 6 (per axis) ASC 273: 18 (for all 3 axes)			
Bias	V	1.65 \pm 0.006			
Bias variation with temperature (referred to the value at +25 $^\circ$ C)	$^\circ/s$	± 3			
Bias Instability	$^\circ/hr$	9			
Isolation		Case Isolated			
Rate Noise Density	$^\circ/s/\sqrt{Hz}$	0.02			
Angular Random Walk	$^\circ/\sqrt{hr}$	0.2 (Allan Deviation; $\tau=1s$)			
Vibration induced Noise	$^\circ/s/g^2$	0.08			

ENVIRONMENTAL

Sensitivity variation over temperature % (referred to the value at +25 $^\circ$ C)		± 1.5			
Operating temperature range	$^\circ$ C	-40 to +85			
Storage temperature range	$^\circ$ C	-40 to +100			
Sealing		ASC 271: IP65 ; ASC 273: IP67			

PHYSICAL

Sensing element		MEMS vibrating ring			
Case material		Anodised Aluminium			
Connector		Cable gland			
Mounting		M2.5 / M4 screws			
Weight (without cable)	gram	ASC 271: 10 ASC 273: 35			
Cable		Shielded PUR, AWG 30			

Note: All values are typical at +25 $^\circ$ C, unless otherwise specified

CALIBRATION

A factory calibration certificate is provided with each sensor. A DAkkS certified (Deutsche Akkreditierungsstelle, DAkkS, to DIN EN ISO / IEC 17025) calibration can be provided upon request.

Pin Configuration

ASC 271
Uniaxial, 3-Wire

Supply +
Supply - (GND)
Signal

ASC 273
Triaxial, 9-Wire, with cable switch, 3 fingers

X	Y	Z
Supply +	Supply +	Supply +
Supply - (GND)	Supply - (GND)	Supply - (GND)
Signal (X)	Signal (Y)	Signal (Z)

ORDERING INFORMATION

ASC 271 (Uniaxial)	XXX	Y	A: open-ended cable (no connector at the DAQ end)
	075: $\pm 75^\circ/\text{s}$	2: 2m (supplied with the sensor)	Contact ASC for all available connector options such as Lemo, Sub-D, BNC etc.
	150: $\pm 150^\circ/\text{s}$		
ASC 273 (Triaxial)	300: $\pm 300^\circ/\text{s}$	4: 4m	
	900: $\pm 900^\circ/\text{s}$	6: 6m	
		10: 10m	

ASC GmbH · Advanced Sensors Calibration

Ledererstraße 10 · 85276 Pfaffenhofen · Germany · Tel. +49 (0) 8441 786 547 -0 · office@asc-sensors.de

All data, information, statements, photographs and graphic illustrations made in this data sheet are without any obligation and raise no liabilities to or form part of any sales contracts of ASC GmbH or any affiliates for components referred to herein. © ASC GmbH 2011. All rights reserved. No part of this copyrighted work may be reproduced, modified or distributed in any form or by any means, or stored in any database or retrieval system, without the prior written permission of ASC GmbH or its affiliates. Any such unauthorized use for any purpose is a violation of the relevant copyright laws. **Revision 05. April 2018**

